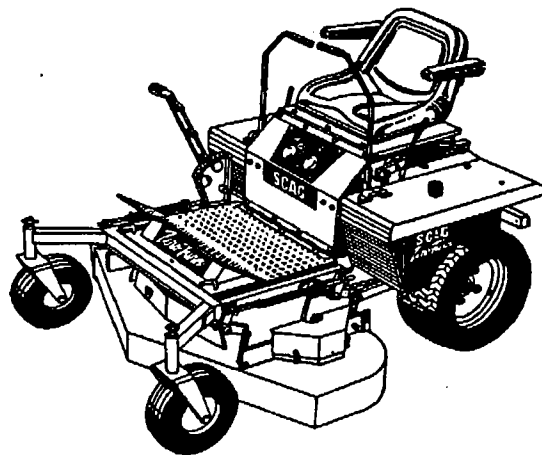


SCAG®

STZ COMMERCIAL GRASS CATCHER TECHNICAL MANUAL



MODEL

GCZ - 5KH

© 1991
SCAG POWER EQUIPMENT, INC.
SUBSIDIARY OF METALCRAFT OF MAVILLE

PART NO. 01091
PRINTED 3/91
PRINTED IN USA

TABLE OF CONTENTS

SUBJECT	PAGE
Safety and Operating Instructions _____	1
Assembly Instructions	
Weight bars _____	2
Frame _____	2 - 3
Engine and blower _____	3 - 4
Hose and adapters _____	4
Illustrated Parts Listing _____	6 - 7
Warranty _____	8

INTRODUCTION

This manual has been prepared to provide the information you need to correctly assemble, operate and maintain this attachment. Read it carefully and keep it for future reference. Should you ever need repair parts or service, contact your Scag authorized parts and service dealer.

To avoid personal injury, it is imperative that all safety instructions be observed.

Any reference made in this manual concerning the right or left-hand sides are determined with the operator in the normal operating position.

The replacement of any part on this product by other than the manufacturer's authorized replacement part may adversely affect the performance, durability or safety of this product.

Woven fabric, even with normal use, is subject to deterioration and/or wear. The manufacturer recommends that this cover be checked frequently, and if necessary, that the cover be replaced. Any replacement cover should comply with original manufacturer specification.

The manufacturer reserves the right to make changes on, or add improvement to, its product at any time without prior notice or obligation. The manufacturer also reserves the right to decide, upon its discretion and at any time, to discontinue a product.

SAFETY AND OPERATING INSTRUCTIONS

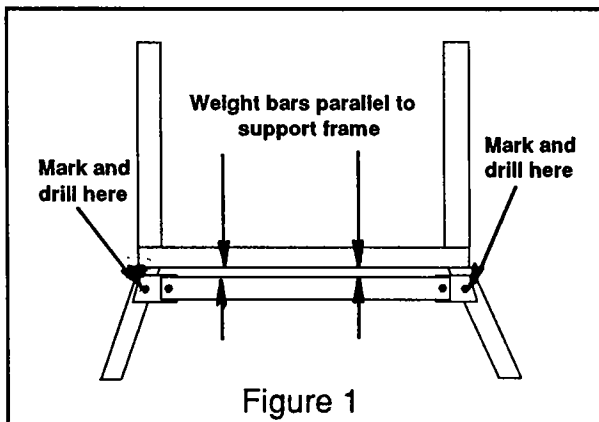
1. Read this technical manual and the technical manual that is supplied with the machine this attachment is used on. A replacement manual is available by sending complete model and serial number to:

Scag Power Equipment, Inc.
1000 Metalcraft Dr.
Mayville WI, 53050

2. When operating the mower without the grass catcher attachment, the discharge chute extension must be installed in the normal, full down position.
3. Never operate your mower without either the complete grass catcher or the discharge chute extension properly installed.
4. Before removing grass bucket, disengage mower, stop engine, on both the mower and auxiliary engine, and wait for all movement to stop.
5. Always turn engines off, remove key and wait for all movement to stop before servicing or cleaning the mower or grass catcher.
6. Do not modify or alter any component of the grass catcher attachment.
7. Do not allow anyone to ride on the grass catcher attachment or on the mower.
8. If mower is going to be used on a hill side or heavy grass conditions, extra weight may be required on the front of the mower. You can purchase a extra weight bar from your local Scag dealer.

ASSEMBLY OF WEIGHT BARS

1. Bolt the three weight bars to the two mounting brackets with the 1/2-13 x 4" bolts and 1/2" elastic nuts. Tighten bolts.
2. Place the mounting brackets with the weights connected on top of the two caster supports welded to the frame.
3. Make sure that the ends of the weight bars are parallel to the mounting brackets.
4. Place the weight bars and mounting brackets as close to the deck support frame as possible. Make sure that the weight bars are parallel to the deck support frame. Mark the two holes in the mounting brackets where it rests on the caster support frames. (See figure 1)



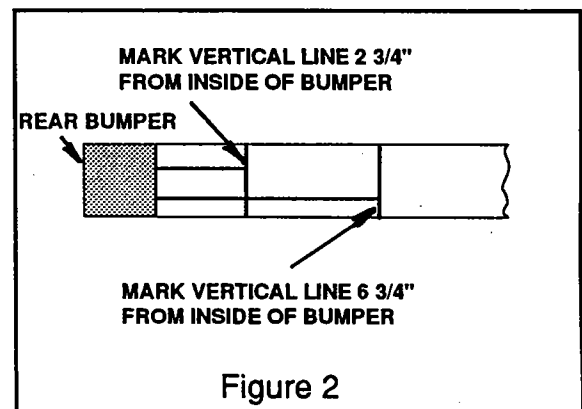
5. Remove the weight bars and mounting brackets. Drill a 25/64" hole all the way through each of the two marks on the caster supports.
6. Reinstall the weight bars and mounting brackets on the caster supports and install two 3/8-16 x 3" bolts, two 3/8" flat washers through holes and secure with two 3/8" flat washers and two 3/8" elastic stop nuts.

ASSEMBLY OF FRAME

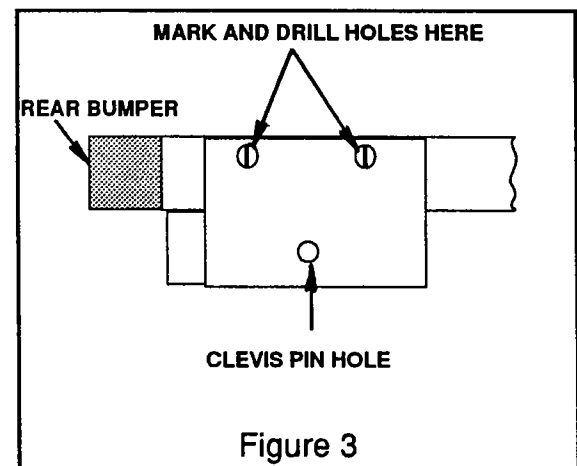
1. Remove the drive wheels

Note: Support the machine on stands as close to wheel motors as possible. Be sure to provide adequate support during drilling operations. We suggest working on one side at a time. This will allow you to keep one drive wheel on the machine at all times.

2. On the right side, mark two vertical lines on the rider frame, one 2 3/4" from the inside of the bumper and another 6 3/4" from the inside of the bumper. (See figure 2)



3. Place the right mounting bracket up against the bottom and outside of the rider frame. Place the mounting bracket so that the vertical lines you marked are centered in the two mounting holes.



- Using the mounting bracket as a template mark and drill two 25/64" holes all the way through the rider frame. (See figure 3)
- Bolt the mounting bracket onto the rider frame using two 3/8-16 x 2 1/2" bolts, four 3/8" flat washers and two 3/8" elastic stop nuts.
- Slide the catcher frame into the right mounting bracket. Line up the lower hole in the mounting bracket and the hole in the side of the catcher frame. Install the clevis pin through the hole and secure with a hair pin.
- With the right side of the catcher frame mounted to the rider, position the left mounting frame around the catcher frame and the rider frame. Line up the lower clevis pin hole in the mounting bracket to the hole in the catcher frame. Install the clevis pin and hair pin.
- Using the left mounting bracket as a template, push the catcher frame up against the rider frame. Mark and drill two 25/64" holes through the rider frame. (See figure 4)

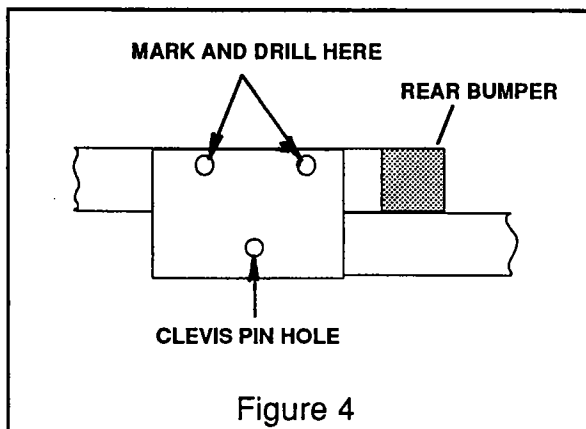


Figure 4

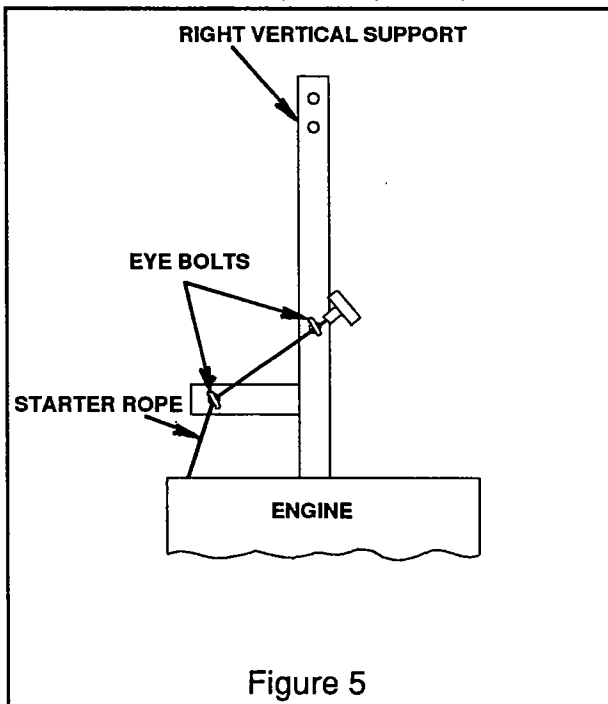
- Bolt the mounting bracket onto the rider frame using two 3/8-16 x 2 1/2" bolts, four 3/8" flat washers and two 3/8" elastic stop nuts.

- Mount the two vertical supports on top of the catcher frame with the four 3/8-16 x 3 1/2" bolts and four 3/8" flat washers, do not put on the outer washers and nuts at this time.
- Using the same four bolts that secure the vertical supports, mount the engine support frame underneath the catcher frame and install the four outer 3/8" flat washers and the four 3/8" elastic stop nuts.

ASSEMBLY OF ENGINE AND BLOWER

- Place the engine guard assembly onto the engine support frame. Line up the four holes on each.
- Place the engine on top of the engine guard with the crankshaft pointing forward.
- Push the four 5/16-18 x 1 3/4" bolts through the engine, engine guard and engine support plate. Secure with the 5/16" lock washers and 5/16 hex nuts.
- Mount the blower housing and the two flat bar spacers onto the engine using the four fine threaded 5/16-24 x 1 1/4" bolts and (4) four 5/16 lock washers. Place the two flat bar spacers between the blower housing and engine.
- Install fan assembly with key and secure with the fine thread 7/16-20 x 2" bolt, 7/16" lock washer and 7/16" flat washer on engine crankshaft. Use a soft hammer to tap the blower fan onto the engine crankshaft.
- Install inlet adaptor using the six 5/16-18 wing nuts.

7. Install two eyebolts, two 5/16" hex nuts, four 5/16" flat washers and two 5/16" elastic stop nuts through the two holes facing the engine on the right vertical support. Angle the loops in the eyebolts so they both are pointed to the rider seat. Take the starter handle off the starter rope, route the starter rope through the two eyebolts and reinstall handle so that the catcher engine can be started while the operator is seated in the rider seat. (See figure 5)



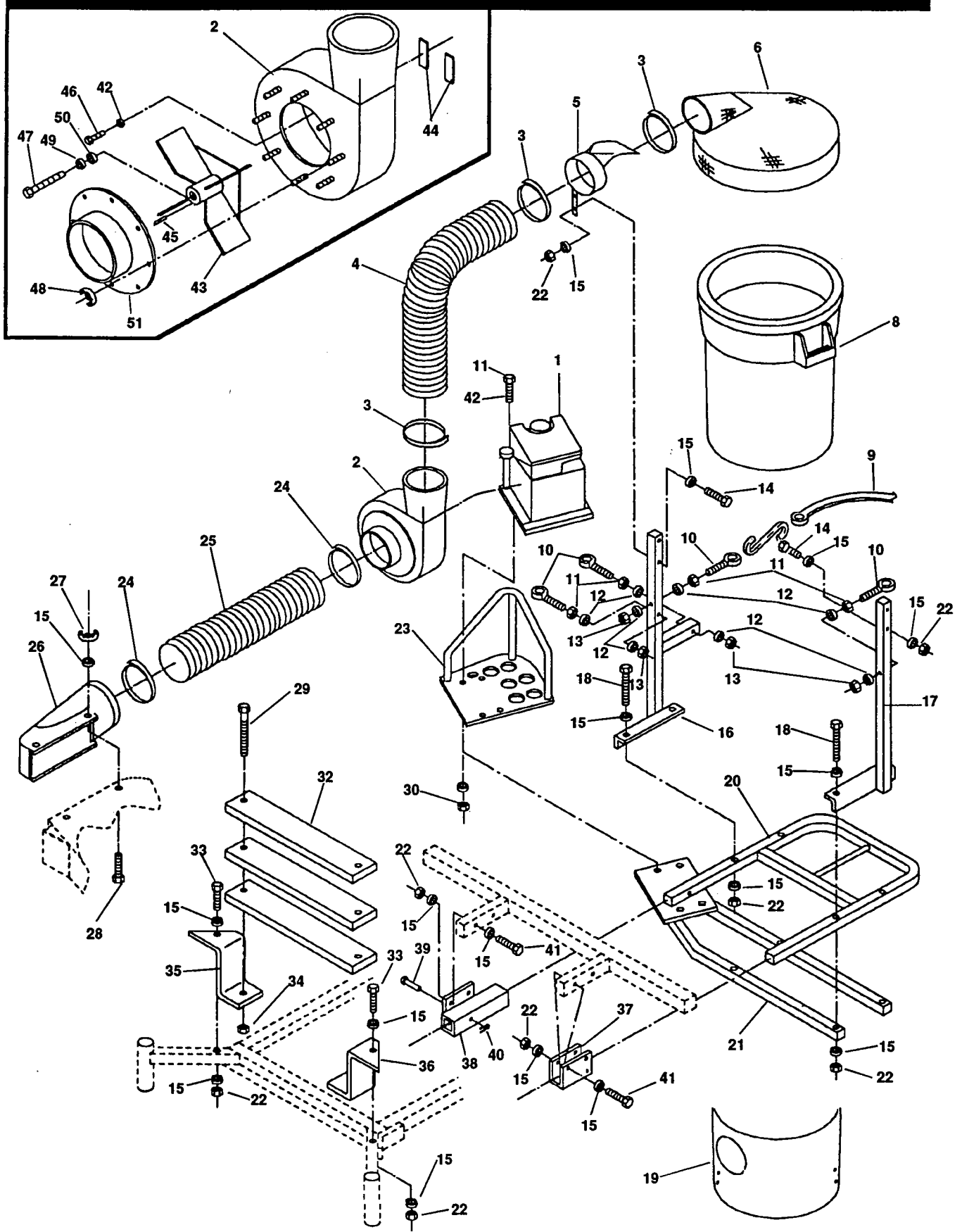
8. Install the muffler exhaust extension onto the muffler using the hose clamp. Point the extension so it will blow the exhaust between the bumper and engine frame.

ASSEMBLY OF HOSES AND ADAPTERS

1. Remove the side discharge chute from the cutter deck.

Note: Be sure to replace discharge chute whenever the grass catcher is removed.

2. Place catcher boot on cutter deck. Firmly tap boot into place with front of chute snug against cutter deck front. Using the boot as a template, mark the two hole locations on the cutter deck. Drill the two holes, first using a 1/8" drill bit, then finish with a 13/32" drill bit. Bolt boot onto cutter deck using the two 3/8-16 x 1" bolts, two 3/8" flat washers and two 3/8" wing nuts.
3. Fasten hose support and dust shield in the top two holes on the right vertical support. Bolt other end of dust shield into the left vertical support. Secure using four 3/8-16 x 2 1/4" bolts, eight 3/8" flat washers and four 3/8" elastic stop nuts. Bolts must be installed from the inside out.
4. Connect the larger diameter hose between the boot and blower housing. Secure with hose clamps at both ends.
5. Connect the smaller diameter hose between the blower housing and hose support. Secure with hose clamps at both ends.
6. Place the bucket cover around the hose support and secure with a hose clamp.
7. Install bucket cover over bucket rim, loop hold down ropes under bucket handles, then tie securely.
8. Bolt on the two remaining eyebolts using, four 5/16" flat washers and two 5/16" elastic stop nuts, in the holes that face the rear of the machine on the vertical supports.
9. Connect the rubber strap to the two eyebolts, to secure the bucket. Crimp the "S" hook onto one eyebolt and an end of the rubber strap to prevent loss of the rubber strap when emptying bucket.



STZ GRASS CATCHER

Ref. No.	Part Number	Description	Ref. No.	Part Number	Description
1	48660	Kohler engine 5hp	27	04022-04	Elastic wing nut, 3/8-16
2	45080	Blower housing	28	*	Hex head bolt, 3/8-16 x 1"
3	48136-01	Hose clamp 6"	29	*	Hex head bolt, 1/2-13 x 4"
4	48135-04	Hose 6"ID x 34" long	30	*	Hex head bolt, 5/16-18 x 1 3/4"
5	45376	Hose support assembly	32	42956	Weight bar
6	46401	Catcher cover assembly	33	*	Hex head bolt, 3/8-16 x 3"
8	48663	Bucket	34	*	Elastic stop nut, 1/2-13
9	48137	Rubber strap	35	42957	Weight bar mounting bracket, R.H.
10	04070-04	Eyebolt, 5/16-18 x 2 3/4"	36	42958	Weight bar mounting bracket, L.H.
11	*	Hex nut, 5/16-18	37	42959	Catcher support, L.H.
12	*	Flat washer, 5/16	38	45375	Catcher support, R.H.
13	*	Elastic stop nut, 5/16-18	39	04064-03	Clevis pin
14	*	Hex head bolt, 3/8-16 x 2 1/4"	40	04062-02	Hair pin
15	*	Flat washer, 3/8"	41	*	Hex head bolt, 3/8-16 x 2 1/2"
16	45373	R.H. upright post	42	*	Lock washer, 5/16
17	45372	L.H. upright post	43	45077	Fan
18	*	Hex head bolt, 3/8-16 x 3 1/2"	44	42960	Spacer
19	42990	Dust shield	45	04063-06	Key, 1/4 x 1/4 x 1 1/2"
20	45370	Catcher, barrel support frame	46	*	Hex head bolt, 5/16-24 x 1 1/4"
21	45371	Engine mounting frame	47	*	Hex head bolt, 7/16-20 x 2"
22	*	Elastic stop nut, 3/8-16	48	04022-02	Elastic wing nuts, 5/16-18
23	45374	Engine guard	49	*	Lock washer, 7/16
24	48136-02	Hose clamp 8"	50	*	Flat washer, 7/16
25	48135-03	Hose 8"ID x 37" long	51	45081	Inlet adapter
26	48132	Boot			

* Connon hardware which should be purchased locally. All bolts Grade 5 plated, all other fasteners zinc plated.

WARNING

If incorrectly used, this machine can cause severe injury. Those who use and maintain the machine should be trained in its proper use, warned of its dangers, and should read the entire manual before attempting to set up, operate, adjust or service the machine.

LIMITED WARRANTY-COMMERCIAL EQUIPMENT

Any part of the Scag commercial catcher manufactured by Scag and found, in the reasonable judgment of Scag, to be defective in material or workmanship, will be repaired or replaced by an Authorized Scag Service Dealer without charge for parts and labor.

The Scag machine including any defective part must be returned to an Authorized Scag Service Dealer within the warranty period. The expense of delivering the machine to the dealer for warranty work and the expense of returning it back to the owner after repair or replacement will be paid for by the owner. Scag's responsibility in respect to claims is limited to making the required repairs or replacements, and no claim of breach of warranty shall be cause for cancellation or rescission of the contract of sale of any Scag machine. Proof of purchase will be required by the dealer to substantiate any warranty claim. All warranty work must be performed by an Authorized Scag Service Dealer.

This warranty is limited to one year from the date of original retail purchase for any Scag catcher that is used for commercial purposes, or any other income-producing purpose (90 days for rental use).

This warranty does not cover any catcher that has been subject to misuse, neglect, negligence, or accident, or that has been operated in any way contrary to the operating instructions as specified in the Technical Manual. The warranty does not apply to any damage to the catcher that is the result of improper maintenance, or to any catcher or parts that have not been assembled or installed as specified in the Technical Manual.

The warranty does not cover any catcher that has been altered or modified. In addition, the warranty does not extend to repairs made necessary by normal wear, or by the use of parts or accessories which, in the reasonable judgment of Scag, are either incompatible with the Scag mower or adversely affect its operation, performance or durability. This warranty does not cover engines and electric starters, which are warranted separately by their manufacturer.

Scag Power Equipment reserves the right to change or improve the design of any machine without assuming any obligation to modify any mower previously manufactured.

All other implied warranties are limited in duration to the one (1) year warranty period or ninety (90) days for catchers used for rental purpose. Accordingly, any such implied warranties including merchantability, fitness for a particular purpose, or otherwise, are disclaimed in their entirety after the expiration of the appropriate one-year or ninety day warranty period. Scag's obligation under this warranty is strictly and exclusively limited to the repair or replacement of defective parts and Scag does not assume or authorize anyone to assume for them any other obligation. Some states do not allow limitations on how long an implied warranty lasts, so the above limitation may not apply to you.

Scag assumes no responsibility for incidental, consequential or other damages including, but not limited to, expense for gasoline, expense of delivering the machine to an Authorized Scag Service Dealer and expense of returning it back to the owner, mechanic's travel time, telephone or telegram charges, rental of a like product during the time warranty repairs are being performed, travel, loss or damage to personal property, loss of revenue, loss of use of the mower, loss of time or inconvenience. Some states do not allow the exclusion or limitation of incidental or consequential damages. So the above limitation or exclusion may not apply to you.

This warranty gives you specific legal rights, and you may also have other rights which vary from state to state.

PLEASE BE CAREFUL

1. Keep all shields in place, especially grass discharge guard.
2. Stop machine and remove spark plug wire to adjust or service.
3. When mechanism becomes clogged, stop engine before cleaning.
4. Keep hands, feet and clothing away from power-driven parts.
5. Keep off implement unless seat or platform is provided.
6. Keep others off of the tractor (only one person at a time).

REMEMBER - YOUR MOWER IS ONLY AS SAFE AS THE OPERATOR!

FAILURE TO FOLLOW CAUTIOUS OPERATING PRACTICES MAY RESULT IN SERIOUS BODILY INJURY. BESIDES, WE WOULD LIKE YOU TO CONTINUE TO ENJOY AND PROFIT BY USING OUR PRODUCTS.

OWNER REFERENCE

TRACTOR MODEL _____

TRACTOR SERIAL NUMBER _____

CATCHER MODEL _____

CATCHER SERIAL NUMBER _____